



HOT
\$65.95
DEAL



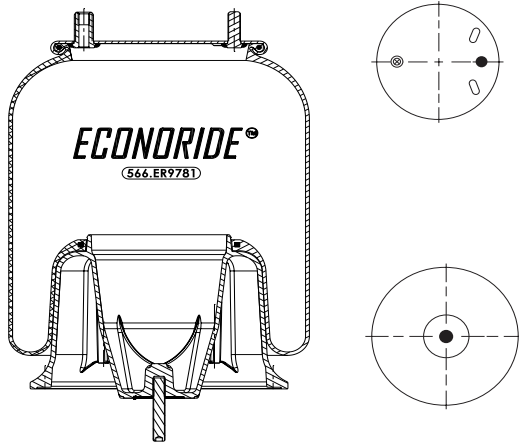
While Supplies Last!

Econoride 566.ER9781 Air Springs

- Cost-effective without compromising on quality
- Aluminum Base allows for increased strength and durability
- Value added, profit enhancing and price competitive
- Features OEM dimensioning for hassle-free installation
- Resistant to oil, lubricants, and averse weather conditions

Features

- Manufactured to be environmentally friendly, longer lasting and weight saving
- Designed for over 2,000,000 cycles
- Operating temperature range of -40°F to 158°F
- Logo & part number molded on the bellows for easy identification
- Website, box label & item label clearly denote the piston material. Product labels also include the Conti, Firestone & Goodyear numbers.
- Line drawing, 360 model & package image all available online
- 2 year warranty



Replaces Firestone 9781 & Good Year 1R12-603

Locally Owned, Nationally Known Since 1940

LONGVIEW, WA
40 International Way
360.577.9632 800.666.9632

PORTLAND, OR (HQ)
41 NE Walker Rd
503.283.4792 877.731.4792

EUGENE, OR.
86175 Franklin Blvd.
541.928.3331 877.800.4130



POTTER WEBSTER COMPANY
TRUCK AND TRAILER PARTS

Locally Owned, Nationally Known Since 1940

LONGVIEW, WA
40 International Way
360.577.9632 800.666.9632

PORTLAND, OR (HQ)
41 NE Walker Rd
503.283.4792 877.731.4792

EUGENE, OR.
86175 Franklin Blvd.
541.928.3331 877.800.4130